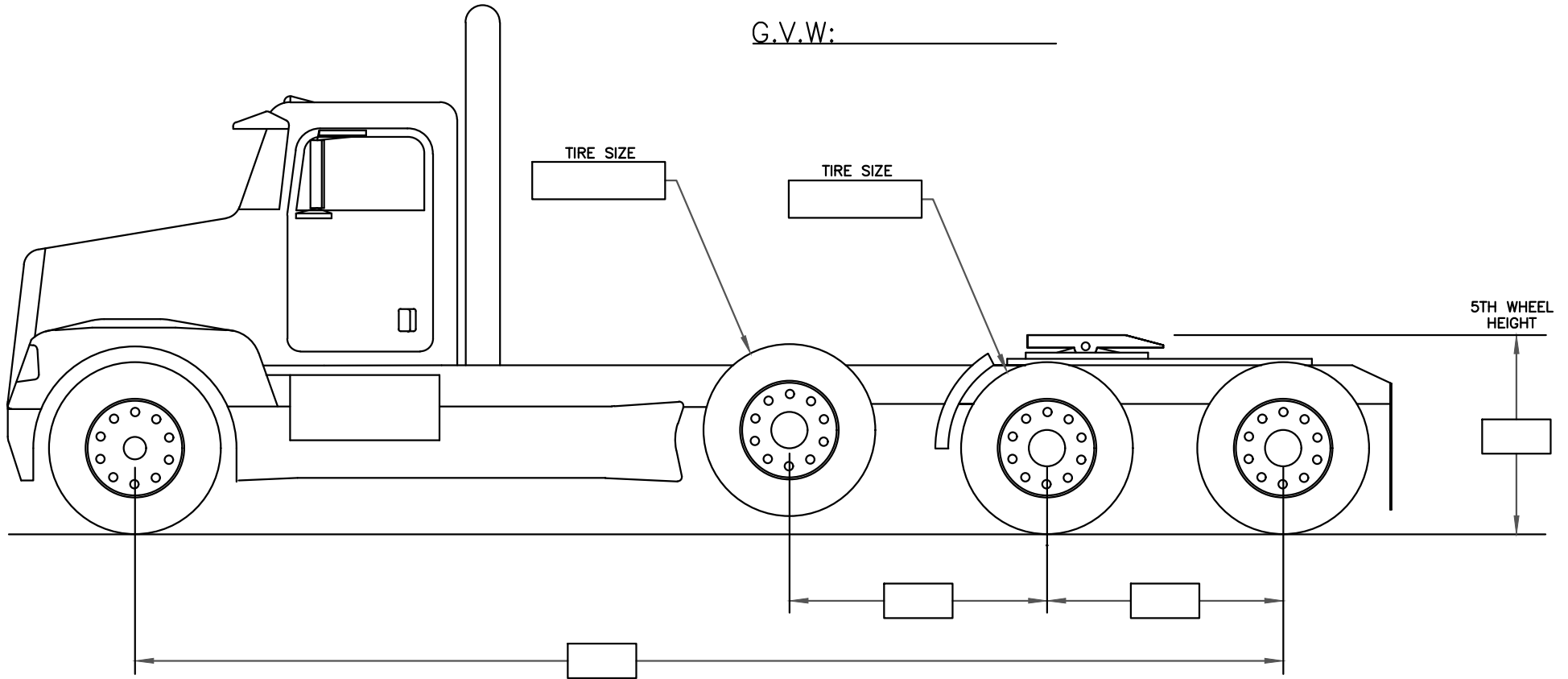


#	DESCRIPTION	DATE	APPROVED
A	RELEASED	10/12/2022	TMH

G.V.W: \_\_\_\_\_



TARE WEIGHT= \_\_\_\_\_

PLEASE SPECIFY TARE WEIGHTS

TARE WEIGHT= \_\_\_\_\_



30902 C38, P.O. Box 932  
 LeMars, IA 51031  
 Phone: (712) 546-4409  
 1-800-779-8099 Fax: 546-6008  
 www.sidedump.com

DIMENSIONS ARE IN INCHES UNLESS OTHERWISE SPECIFIED  
 TOLERANCES UNLESS OTHERWISE SPECIFIED  
 FRACTIONAL ± 1/16"  
 ANGLES ± 1°  
 ONE PLACE (.X) ± .1  
 TWO PLACE (.XX) ± .03  
 THREE PLACE (.XXX) ± .020  
 FOUR PLACE (.XXXX) ± .0100

TITLE	4-AXLE STRAIGHT TRUCK DATA SHEET		
	4-AXLE TRACTOR		
DATE:	10/12/22	REV	A
SCALE:	1/36	SHEET	1 OF 1

This drawing and the design it covers are the property of SMITHCO. They are loaned merely and on the borrower's expressed agreement that they will not be reproduced copied loaned exhibited nor used except in the limited way and private use permitted by any written consent given by the lender to borrower.