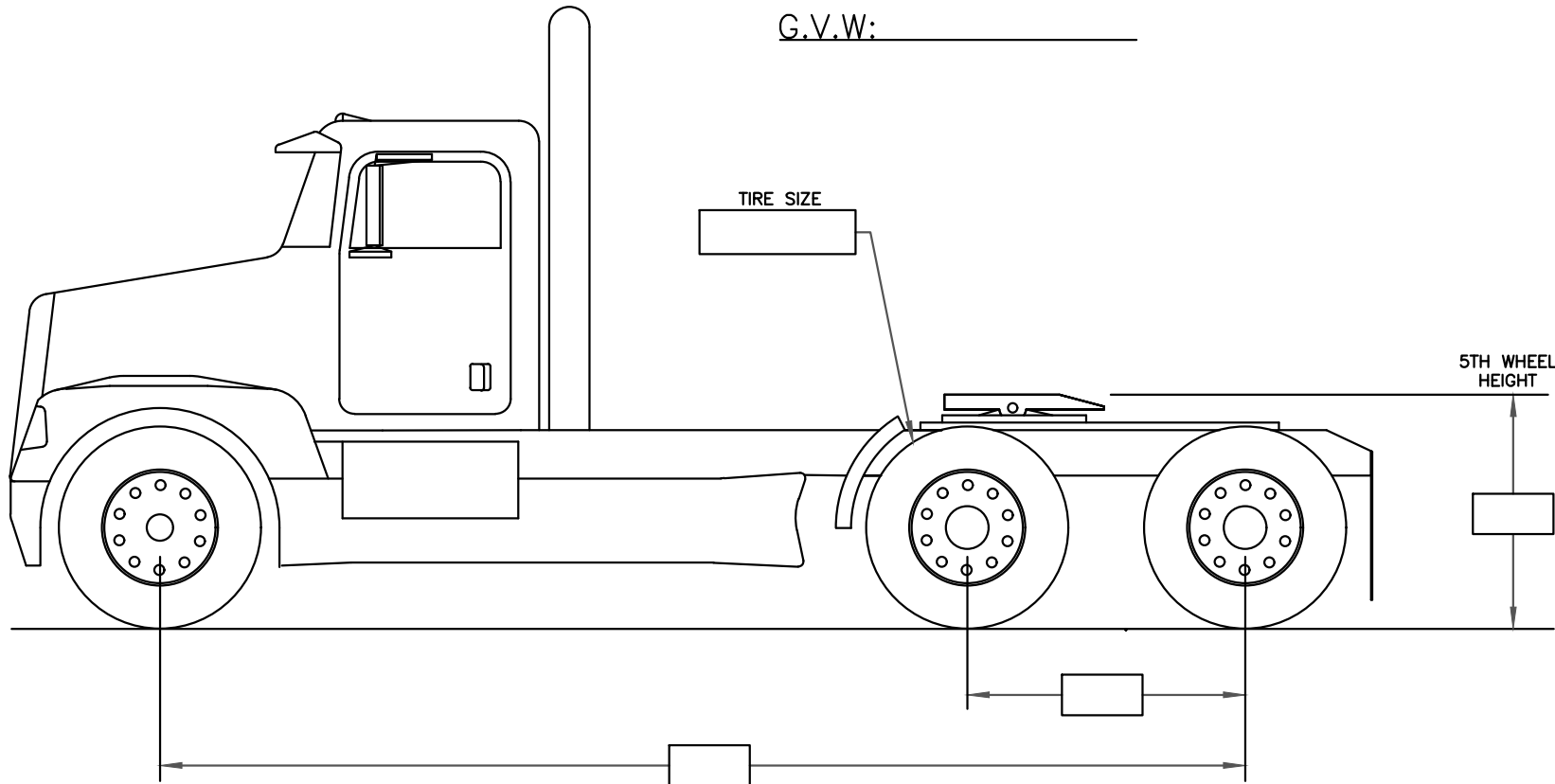


#	DESCRIPTION	DATE	APPROVED
A	RELEASED	10/12/2022	TMH



TARE WEIGHT= _____

PLEASE SPECIFY TARE WEIGHTS

TARE WEIGHT= _____



30902 C38, P.O. Box 932
 LeMars, IA 51031
 Phone: (712) 546-4409
 1-800-779-8099 Fax: 546-6008
 www.sidedump.com

DIMENSIONS ARE IN INCHES UNLESS OTHERWISE SPECIFIED
 TOLERANCES UNLESS OTHERWISE SPECIFIED
 FRACTIONAL ± 1/16"
 ANGLES ± 1°
 ONE PLACE (X) ± .1
 TWO PLACE (XX) ± .03
 THREE PLACE (XXX) ± .020
 FOUR PLACE (XXXX) ± .0100

TITLE	3-AXLE STRAIGHT TRUCK DATA SHEET		
	3-AXLE TRACTOR		
DRAWN BY:	TMH		
DATE:	10/13/22		
SCALE:	1/36	REV	A
		SHEET	1 OF 1

This drawing and the design it covers are the property of SMITHCO. They are loaned merely and on the borrower's expressed agreement that they will not be reproduced copied loaned exhibited nor used except in the limited way and private use permitted by any written consent given by the lender to borrower.